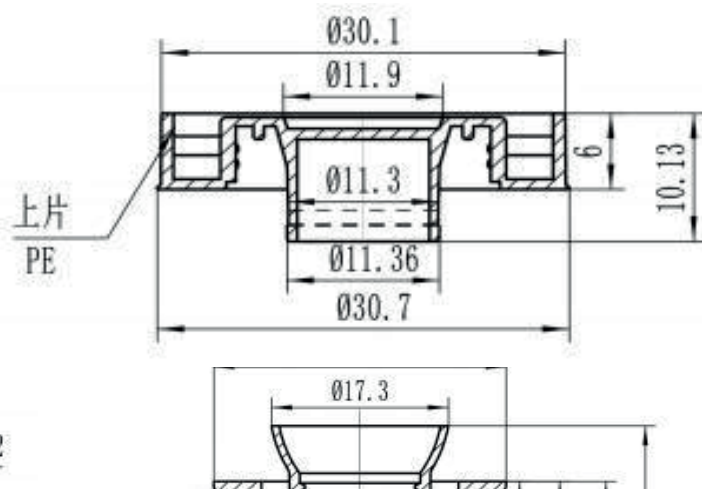
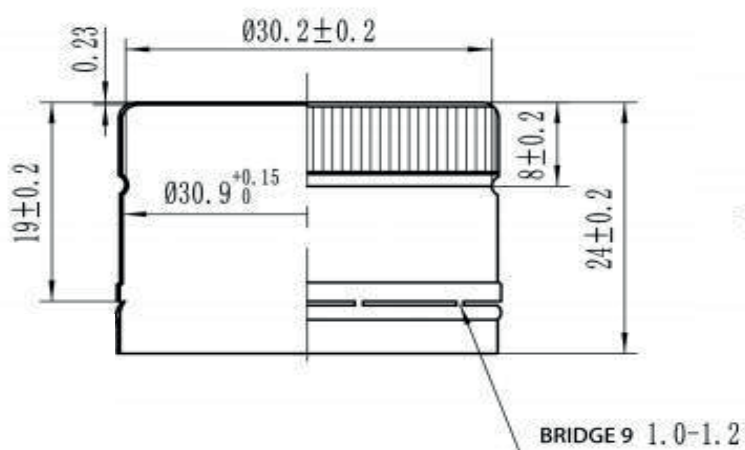


Olive oil Cap 31.5x24MM

TECHNICAL SPECIFICATION

The olive oil cap with pourers that have been specifically designed for the viscosity of the oil, with a view to enabling perfect pouring, as well as anti-drip devices to avoid the drips that could form when pouring is interrupted.

CLOSURE TYPE	31.5*24MM CAP	APROBATION	
COMPONENTS	WAD	PE	1.6g
COMPONENTS	POURER	PE	1.8g
Aluminum skin weight	1.82g		
Flange Diameter			
Al Composition	8011		
Al Condition	H16		
Specific gravity g/cm ³	2.71		
Tensile strength Rm MPa	142-157Mpa		
Elongation. A50, % min	≥ 3		
Anisotropy, % max	≤ 2		
Material Thickness, mm	0.23±0.01mm		
Outside diameter,mm	30.2		
Height, mm	24		
Internal lacquer type	Mod. polyester base		
External lacquer type	Mod. polyester base		
Recommended application details			
Head pressure force, KG	100-130KG		
Bridges Breaking Torque, Nm	0.5 – 3.5N.M		



TECHNICAL SPECIFICATION

Side roller pressure force, N	7-12KG
Undertuck roller pressure force, N	7-12KG
PACKAGING	
Quantity, PCS	1980
G.W	11.2
Cardboard Type	Corrugated five layer cardboard
Pallet size,cm	120x100
Cartons per pallet (40HC)	7*7
Cartons per pallet (20GP)	7*6
Packing quantity of 40HC (without pallet)40HC	1288 boxes
Packing quantity of 20GP (without pallet) 20GP	540 boxes
Cabinet capacity of 40HC (with pallet) 40HC	2037420
Cabinet capacity of 20GP (with pallet) 20GP	831600
Cabinet capacity of 40HC (without pallet) 40HC	2550240
Cabinet capacity of 40HC (without pallet) 20GP	1069200
Notes: Closures shall be stored in a well-ventilated place avoiding direct sunlight and strong odour for the period of 1 year.Pallets shall not be stacked.	

